

FAVORIT 5 - CNC

Portable cutting system
Quick and easy to use everywhere



Portable CNC plasma and oxy-fuel cutting machine

Your advantages with the FAVORIT 5 - CNC:

- Easily transportable due to its low weight
- Easy setup
- Quick manual positioning
- Excellent stability and precision as well as a high reproducibility thanks to precise linear guides
- High performance drive
- Arc voltage height control with automatic initial touch sensing
- Collision sensor
- Heat protection
- Versatile
- For plasma and oxy-fuel cutting

Technical data:

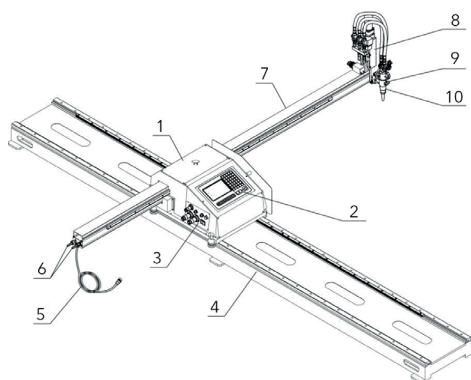
- Input voltage: 230V / 120V, 50/60 Hz, 180 W, 0.5 A
- Max. cutting area: 3,000 x 1,500 mm
- Max. cutting speed: 3,000 mm/min
- Cutting thickness oxy-fuel: up to 100 mm
- Cutting thickness plasma: up to 35 mm
- Total weight: ~ 200 kg

CNC control:

- Easy to learn and operate
- Graphic color display
- Standard geometries integrated in the CNC control for short process times
- Automatic cutting kerf compensation
- USB-port for fast loading of cutting programs



Machine components:



- 1 Main unit
- 2 CNC control
- 3 Data connections (communication to plasma source, torch height control etc.)
- 4 Longitudinal guides
- 5 Connection to height control
- 6 Gas connection
- 7 Transversal guides
- 8 Torch height control
- 9 Torch mounting
- 10 Oxy-fuel or plasma torch

Contact us for further information:



Welding Company België
Brandekensweg 6 | 2627 Schelle
Tel.: +32 3 880 81 80
info@weldingcompany.be

Welding Company Nederland
Ambachtsweg 2 | 4128 LC Lexmond
Tel.: +31 3 347 745008
info@weldingcompany.nl